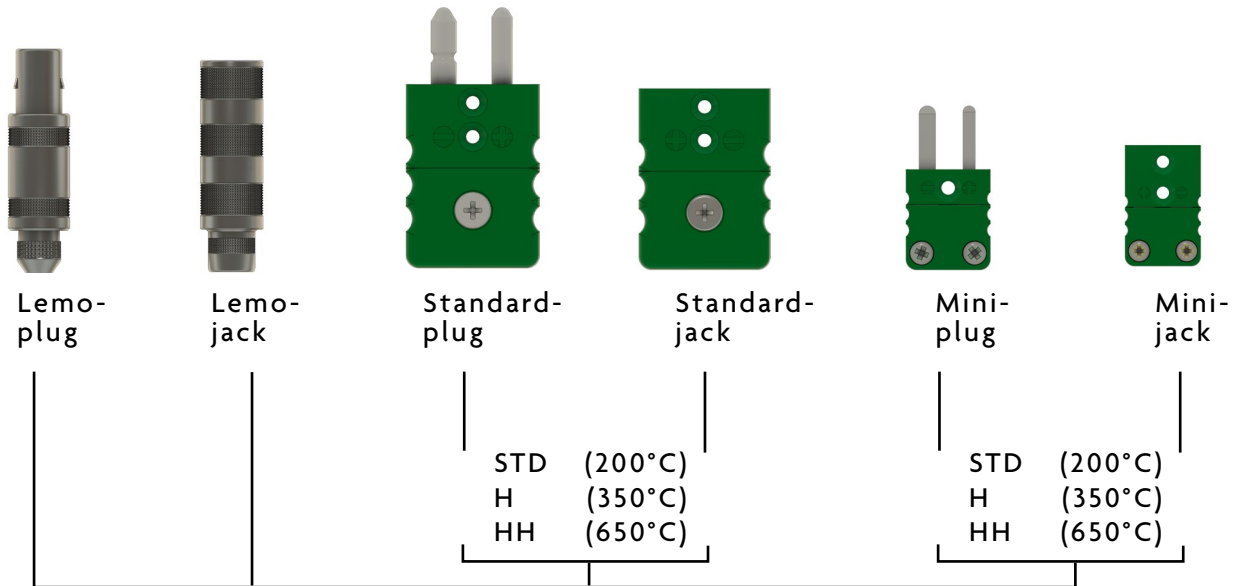
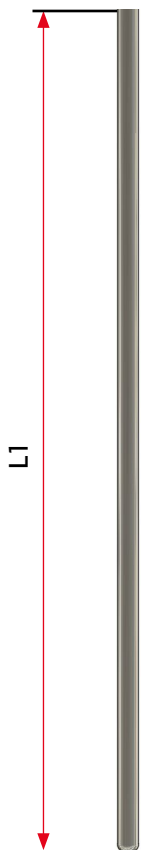
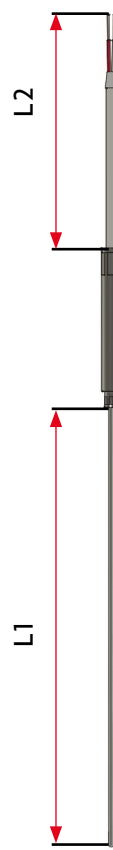


QUESTIONNAIRE MINERAL INSULATED THERMOCOUPLES



	MTE-Type	Sheat Material		Cable: (Isolation) FEP/FEP With screen Silicon/FEP Kapton/Kapton PVC/PVC isolated With screen Fibre glass/steel wire braid
	J K N S	1.4541 1.4841 2.4816 Nimonic Platin		
	Diameter:			Cross section 0,22mm ² (Standard) Other:
	Number of Thermocouples			Additional parts Compression fitting made of stainless steel Clamping ring: PTFE VA Thread: With plate (RT-Version) Dimensions: With drill holes 1 drill hole 2 drill holes Diameter:
	1x 2x Class 1 Class 2 Hot junction insulated from the outer sheath Hot junction welded to the outer sheath			
	Cable length L2: Nominal length L1:			
	Measuring range min: max: Working temperature /-area:			